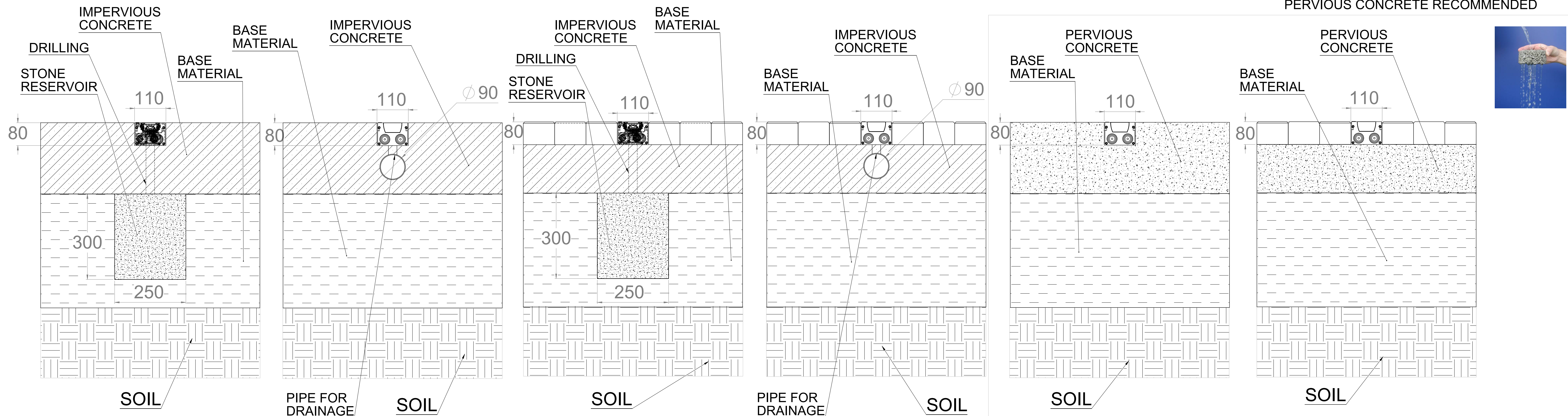


# Ground recessed SCULPline DRAINING recommendations

PERVIOUS CONCRETE RECOMMENDED



NOMINAL LENGT  
MODULE + 5mm

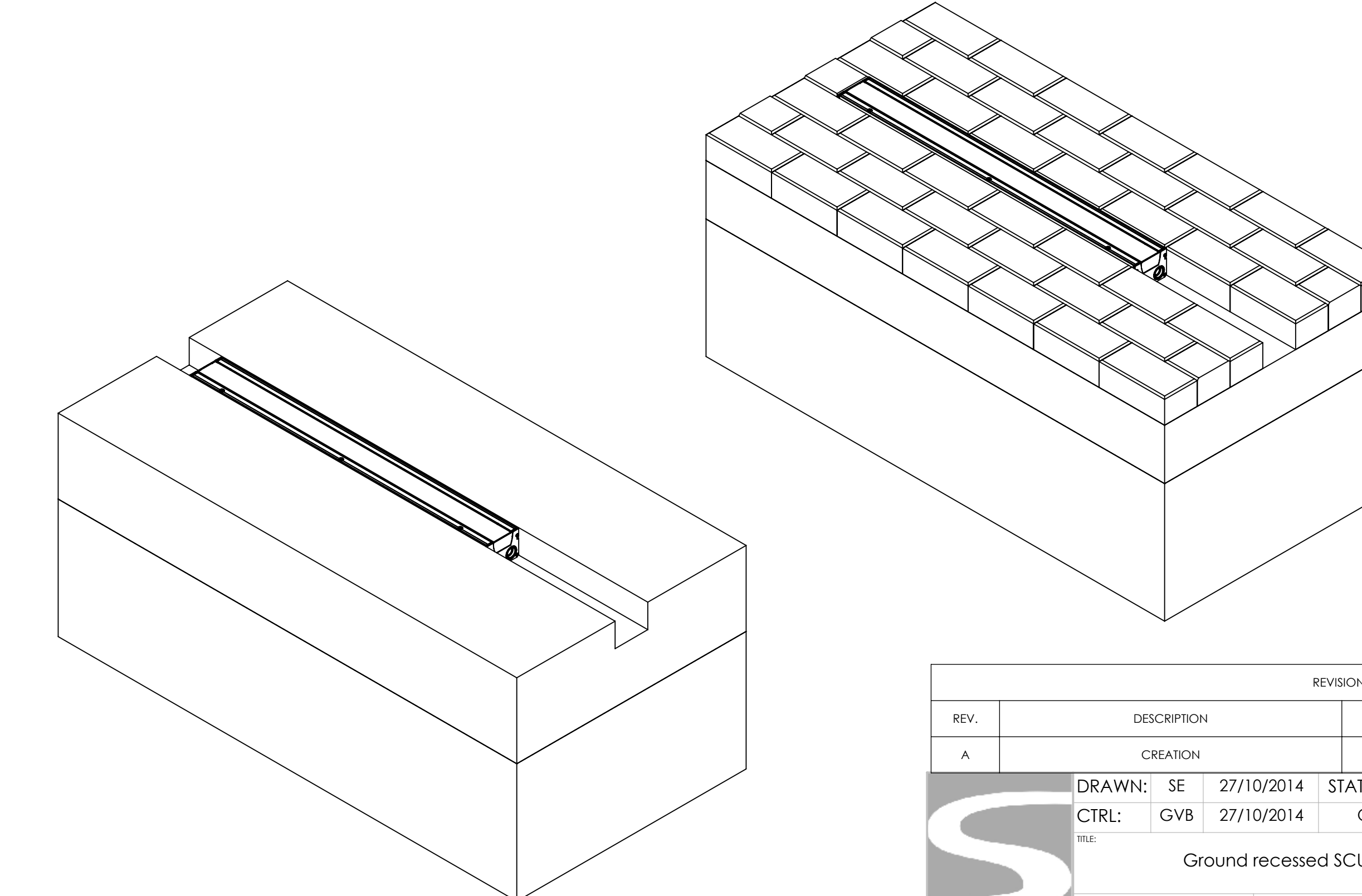
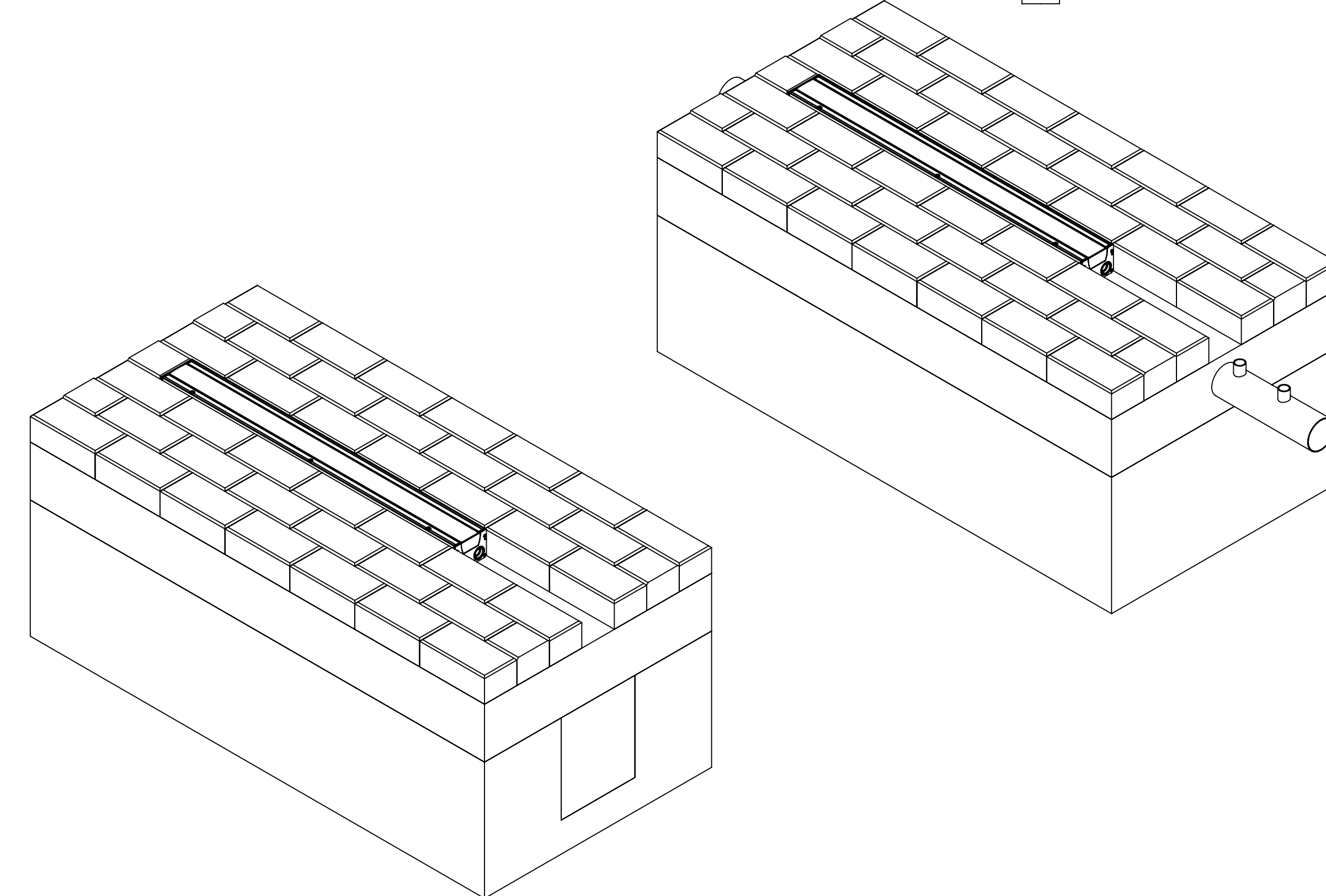
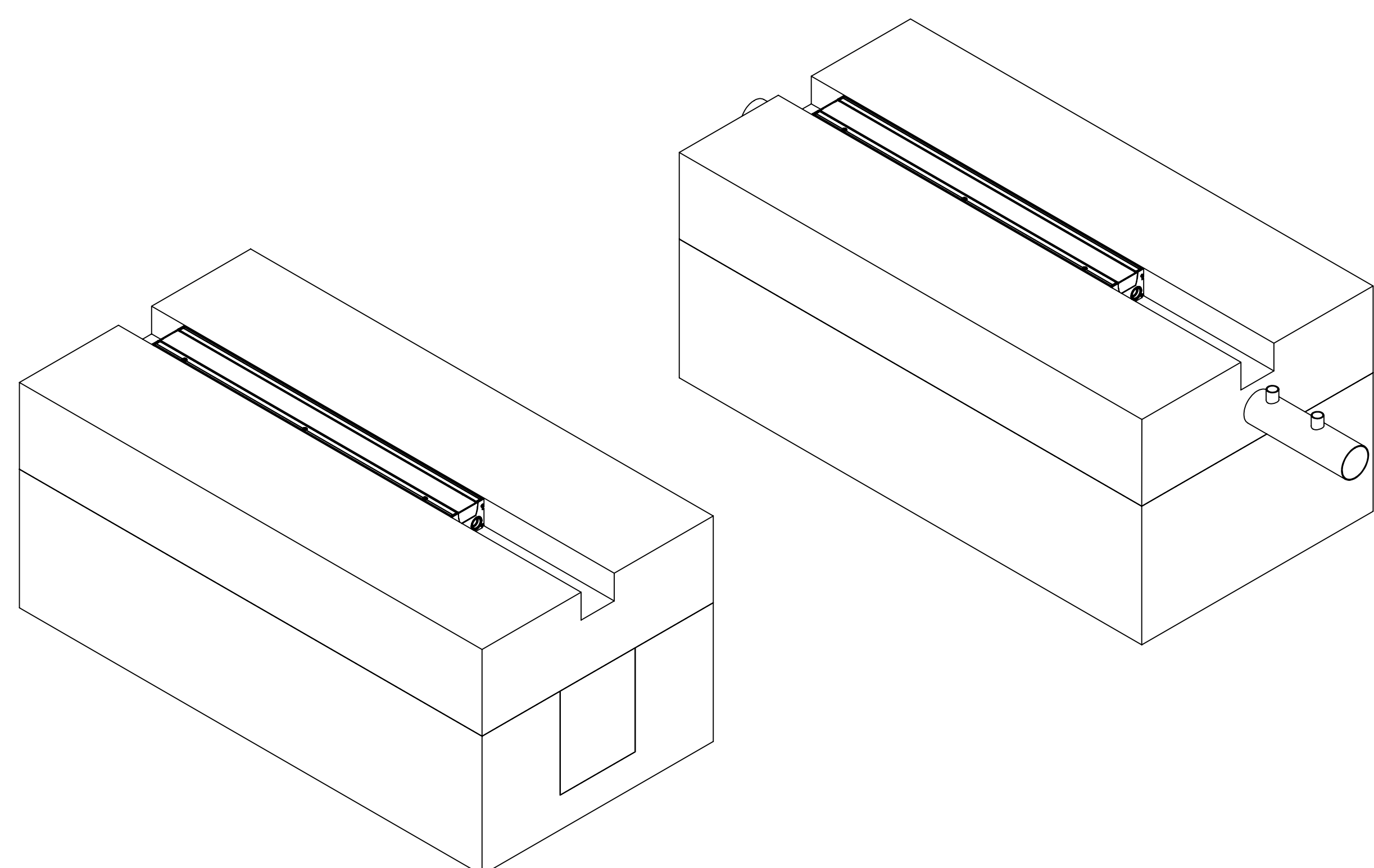
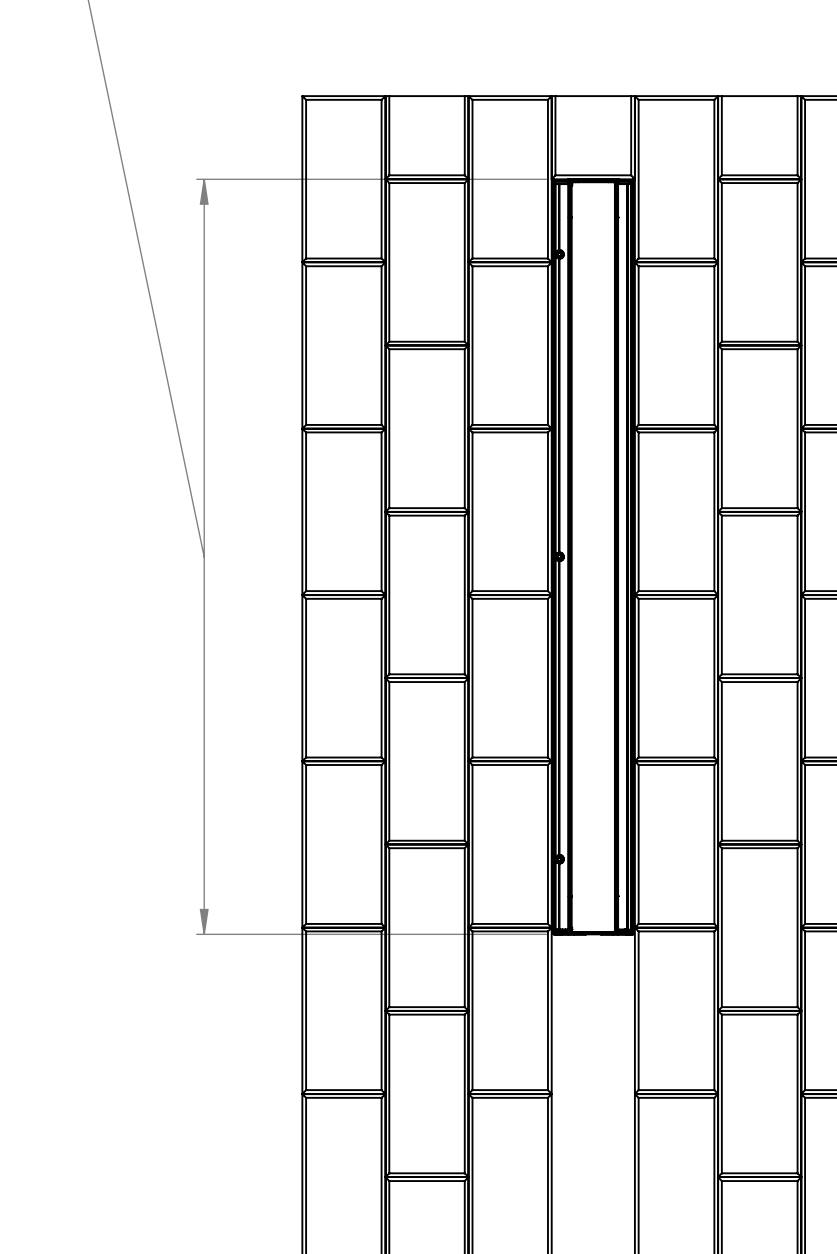
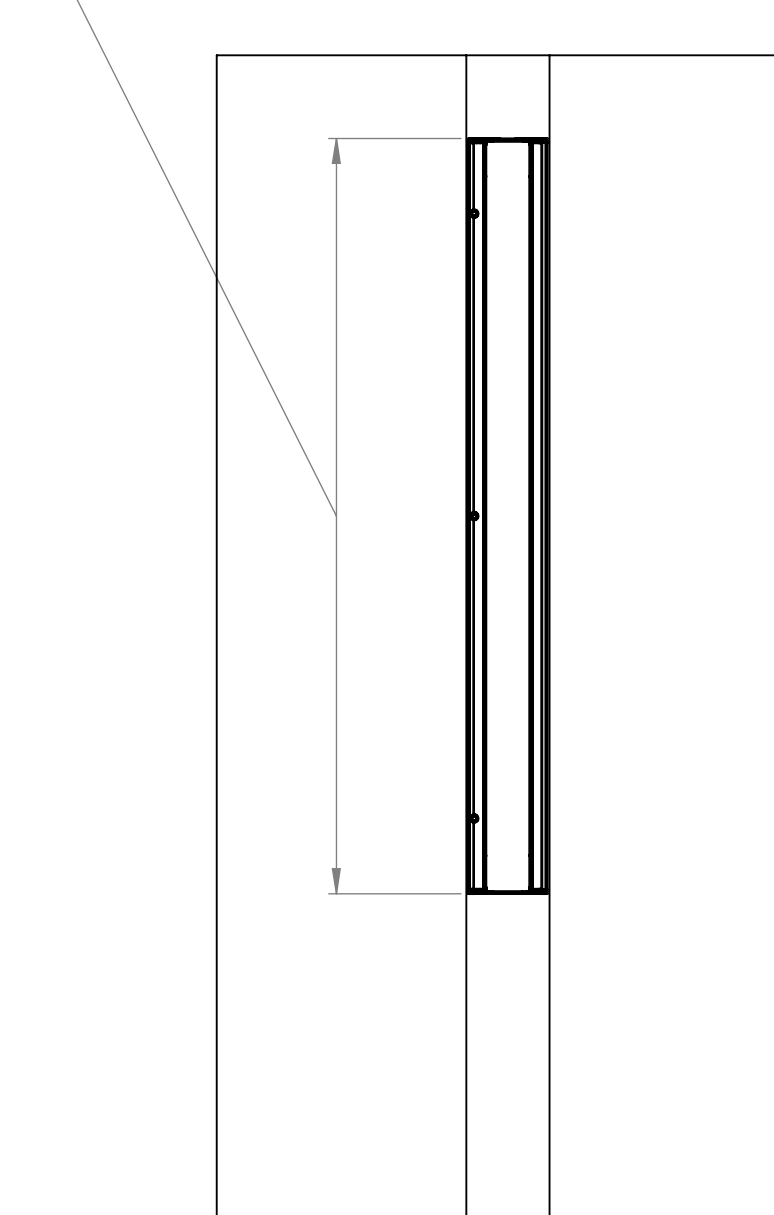
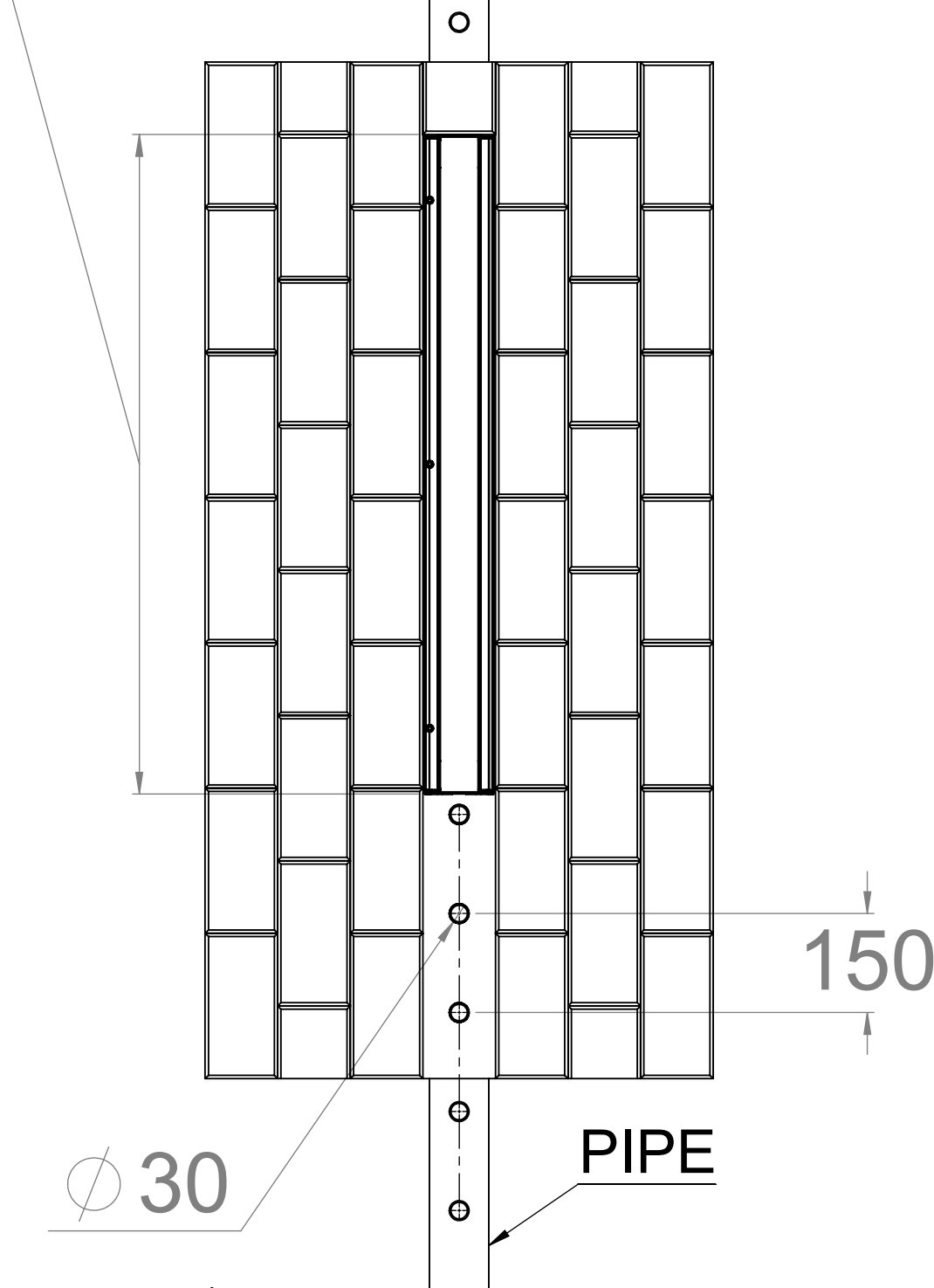
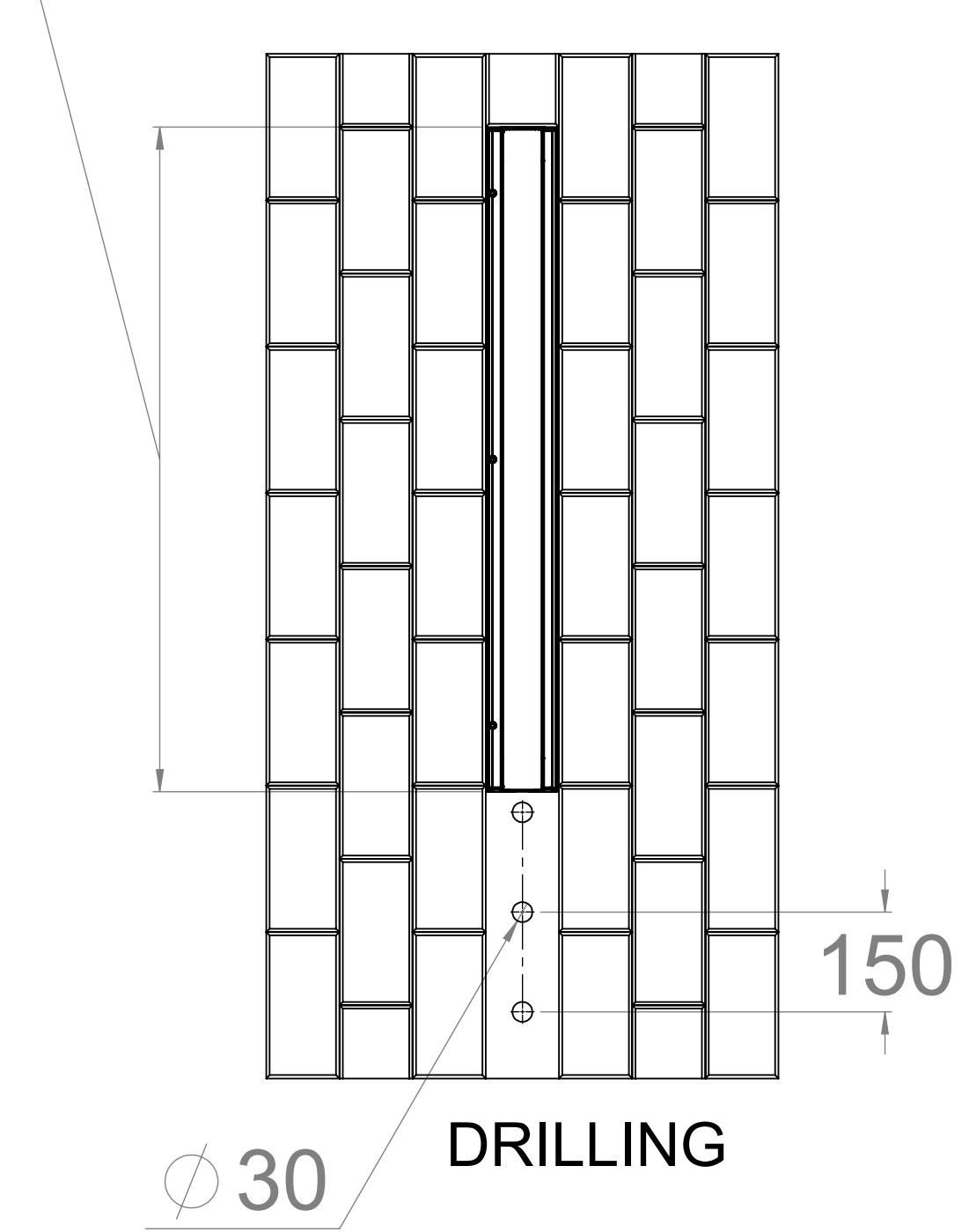
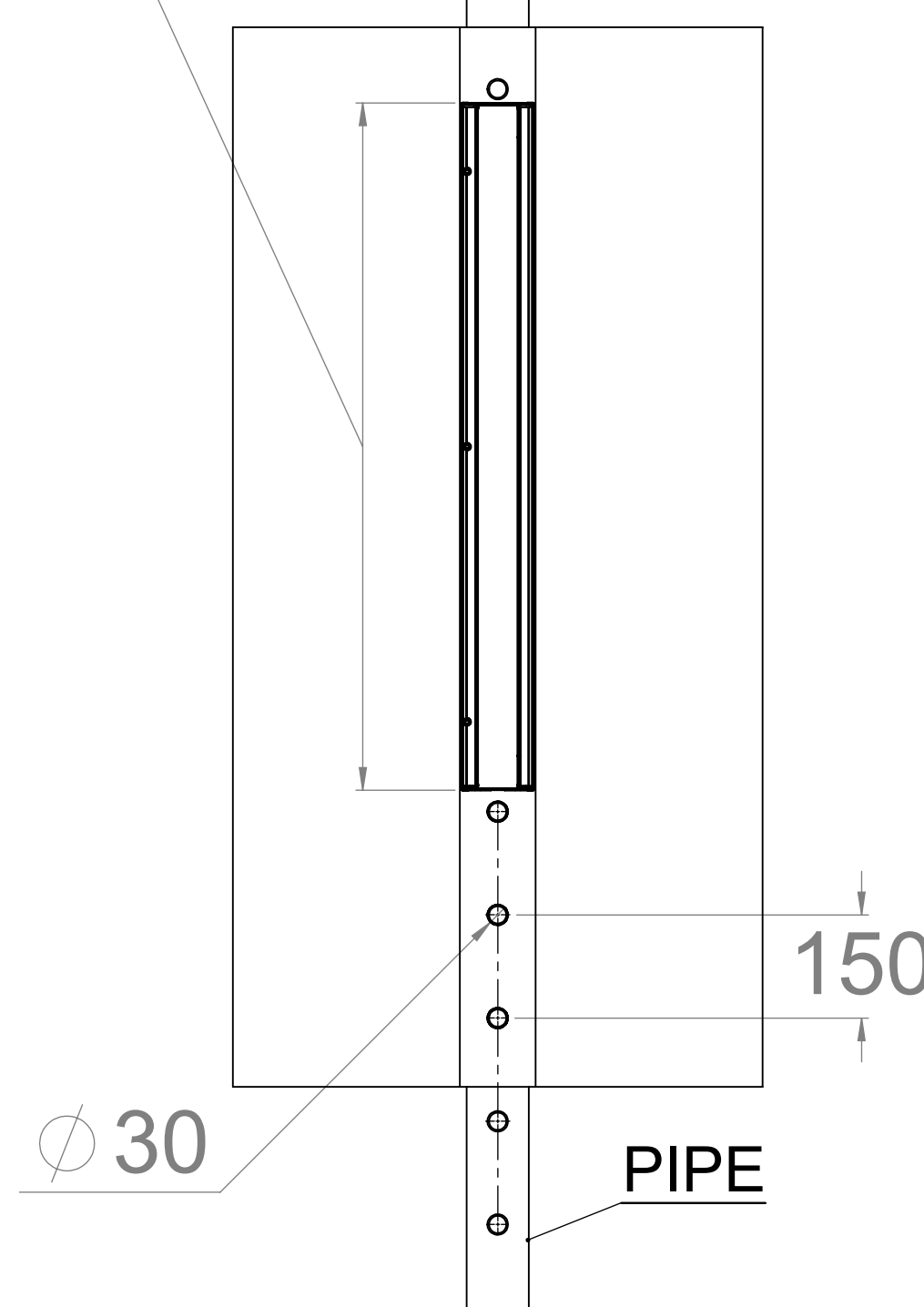
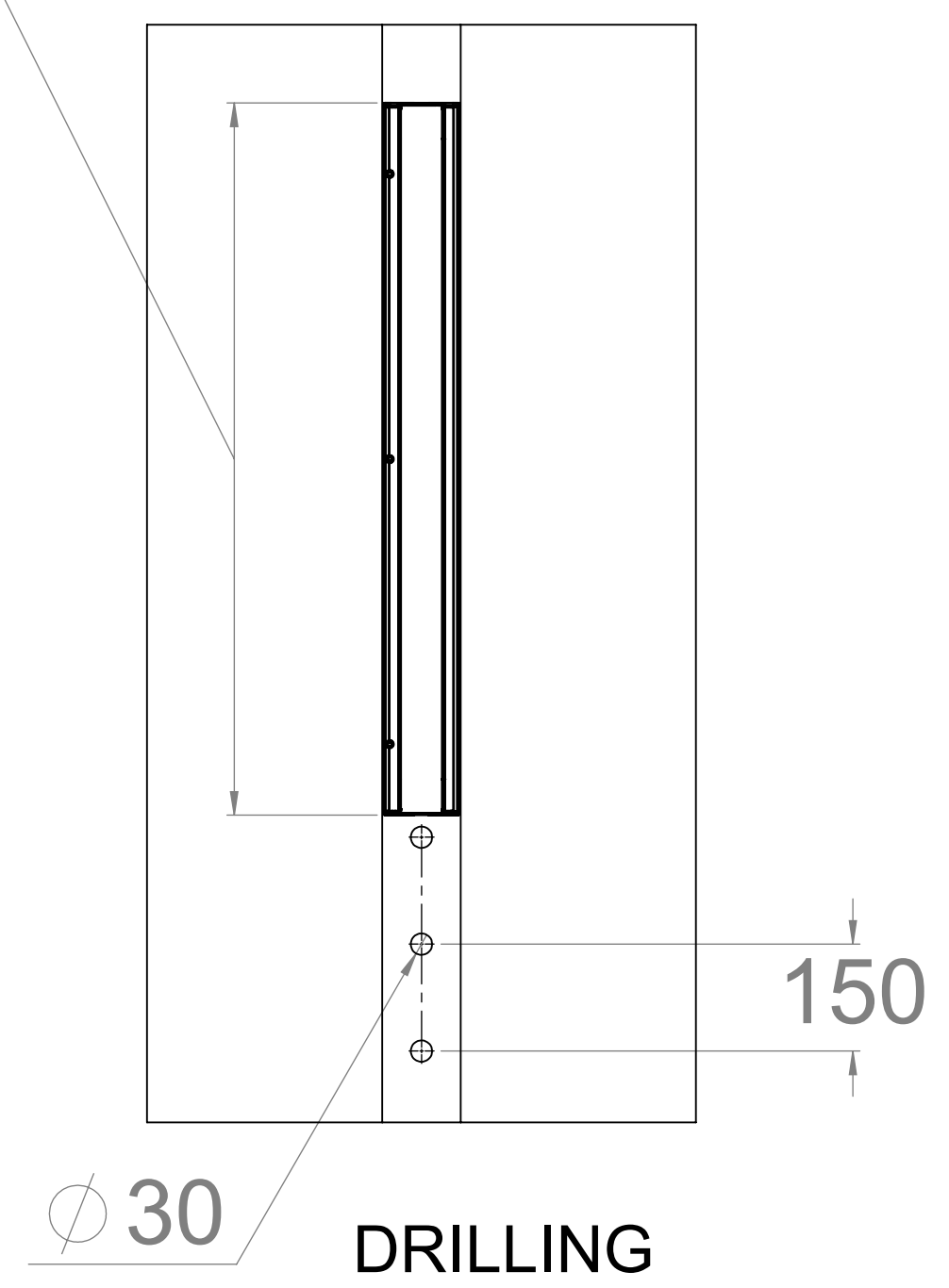
NOMINAL LENGT  
MODULE + 5mm

NOMINAL LENGT  
MODULE + 5mm

NOMINAL LENGT  
MODULE + 5mm

NOMINAL LENGT  
MODULE + 5mm

NOMINAL LENGT  
MODULE + 5mm



REVISIONS				
REV.	DESCRIPTION	DATE	DRAWN	APPROVED
A	CREATION	27/10/2014	SE	GVB
DRAWN: SE 27/10/2014		STATUS: OK	PROJECT: GDE3524E	PROJ. NO: 6000556
CTRL: GVB 27/10/2014		OK	/	
TITLE: Ground recessed SCULPline DRAINAGE recommendations				
STD MATERIAL: /		STD FINISH: /		ISO SOURCE: ISO 2768MEDIUM
Schröder Group GIE				SCALE: 1:5
<small>                 The information contained in this document is the property of Schröder Group GIE. It is not to be used for any other purpose without the prior written consent of Schröder Group GIE.             </small>				
<small>                 Schröder Group GIE is a member of the Schröder Group. The Schröder Group is a leading manufacturer of drainage systems.             </small>				A0 SHEET 1 OF 1