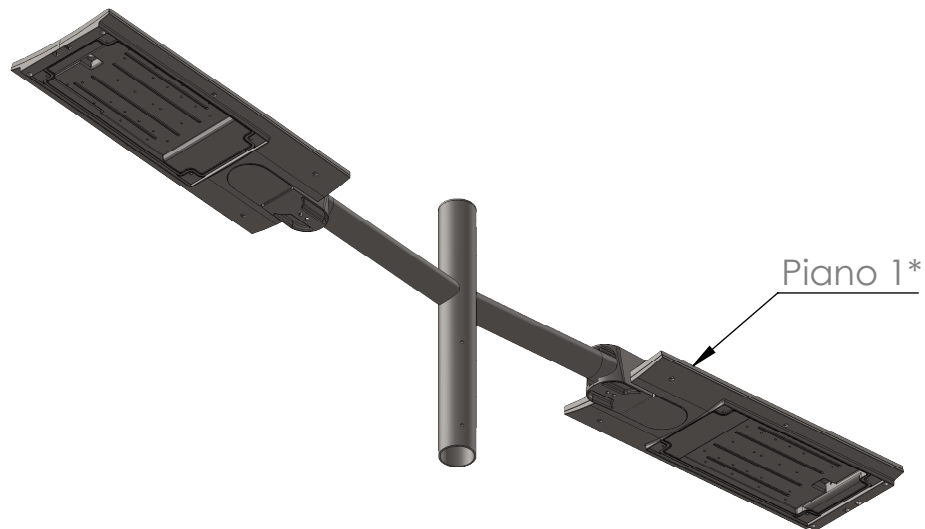
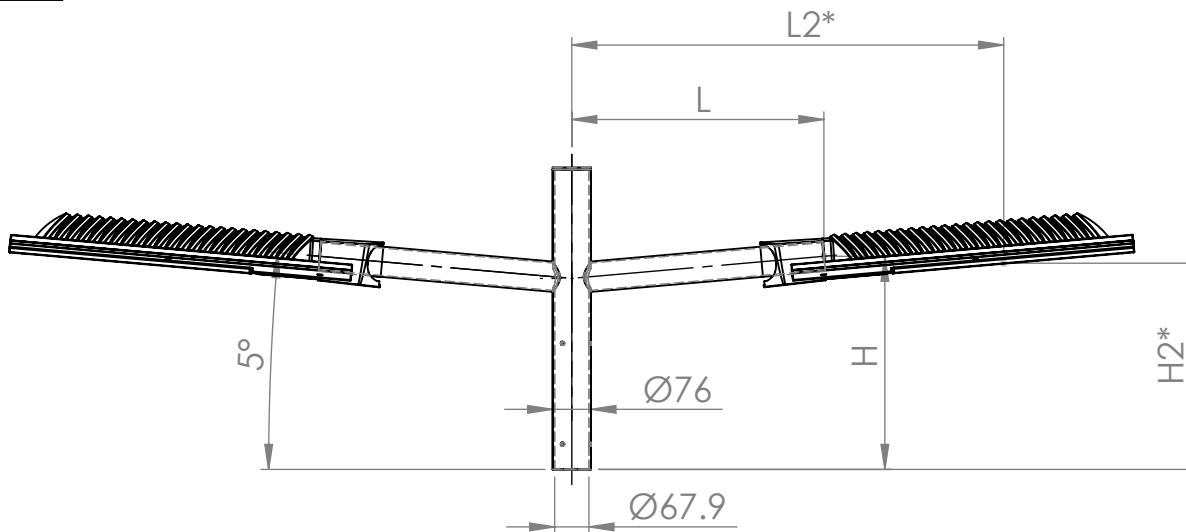
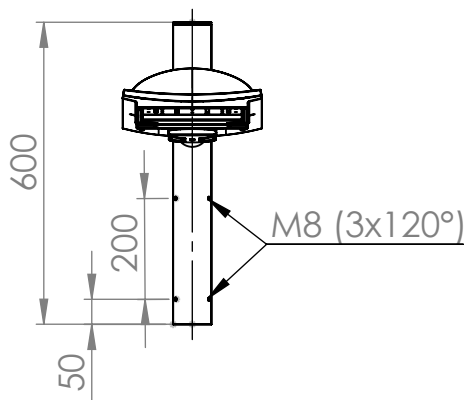
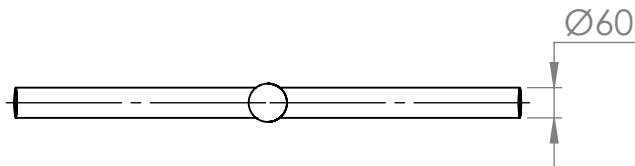


	Double top S250	Double top S500	Double top S1000
L	250	500	1000
H	389	422	455
L2* (Piano 1)	607	857	1357
H2* (Piano 1)	376	409	442
Bracket weight	11.3	13.5	18.5



Specifications and measurements are of an indicative nature and subject to change without notice

Korda double top enclosing on spigot Ø60x300 (for pole Ø76)

Schröder
Experts in lightability™

Scale: 1:15

Material: Steel
galvanised

Date:03-09-2019

Weight:See table

© Schröder SA (Rue de Lusambo 67, 1190 Brussels, Belgium).
This document, its content and all related intellectual property rights, notably on the drawings and design, are owned by and remains the property of Schröder SA. In no case, it can be used for unauthorized purposes. It can not be reproduced or communicated to third parties without Schröder's express and written agreement. Infringement gives rights to damages.

* More information on luminaire compatibility is available in the datasheet